

AC AXIAL FAN

General Specification

SIZE	60x60x30mm
Frame	Thermal plastic ,UL94-0
Impeller	Thermal plastic ,UL94-0
Lead Wires	UL TType
Operation Temperature	-10°C~70°C 35%~85%
Storage Temperature	-40°C~80°C 35%~85%
Dielectric Strebghth	5mA max,at 500 VAC 60Hz one minute (between frame and terminal)
Function Options	FG,RD,PWM,Auto Restart,Polarity Protection

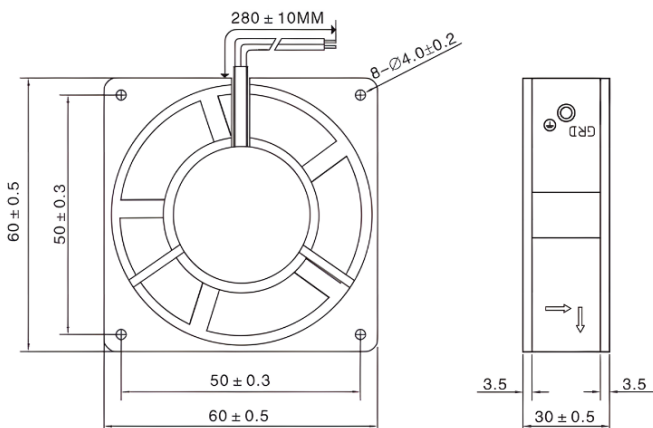


Specifications

Model Listed	Bearing System	Rated Voltage	Rated Current	Rated Speed	Air Flow	Air Pressure	Noise Level	Weight
		VDC	A	RPM	CFM	mmH2O	dBA	g
AF0603023(X)HN	Ball	230	0.022/0.020	2500/3000	7.9/10.0	1.6/2.7	26/27	145
AF0603012(X)HN	Ball	120	0.042/0.035	2500/3000	7.9/10.0	1.6/2.7	26/27	145

· SPECIFICATIONS ARE SUBJECT TO CHANGE WITHOUT NOTICE

Dimensions (Unit:mm)



Performance Curves

